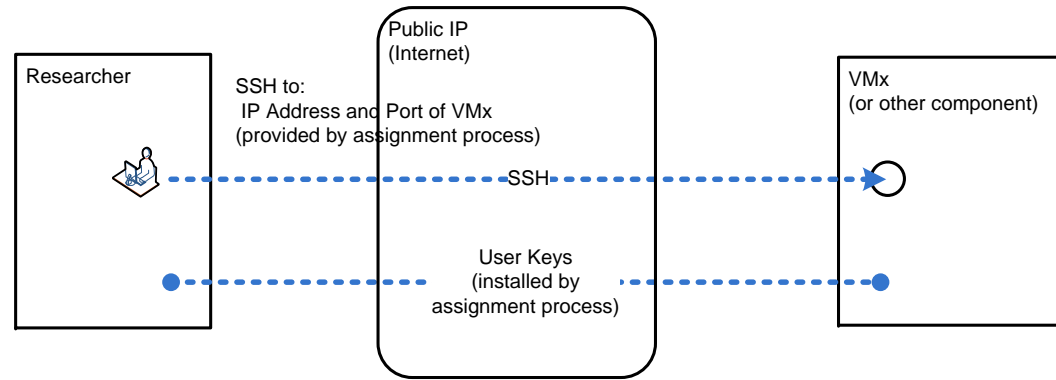


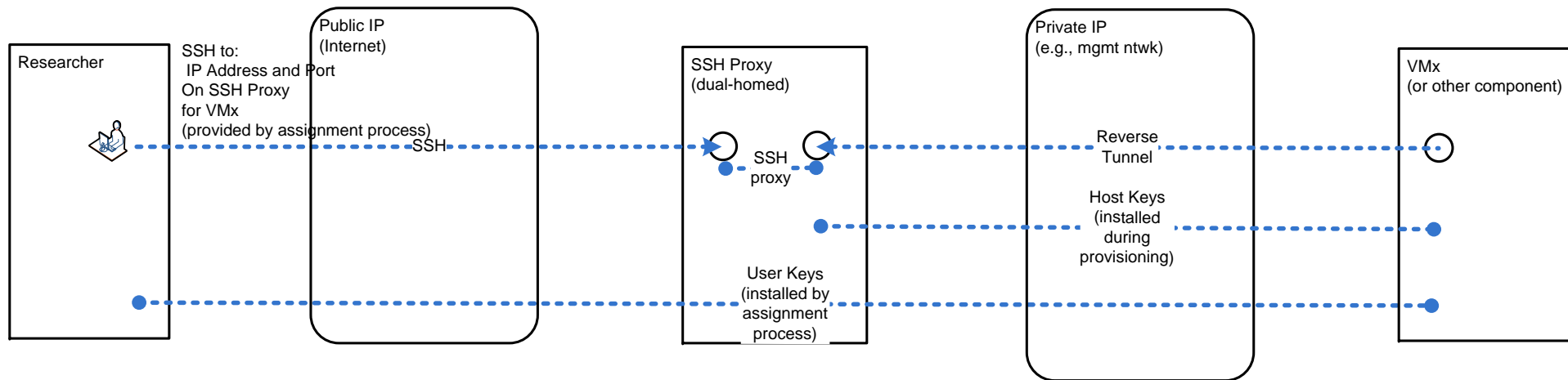
SSH access from Researcher to a component at a site:
Allows login to component (or equivalent).
For programming the component.

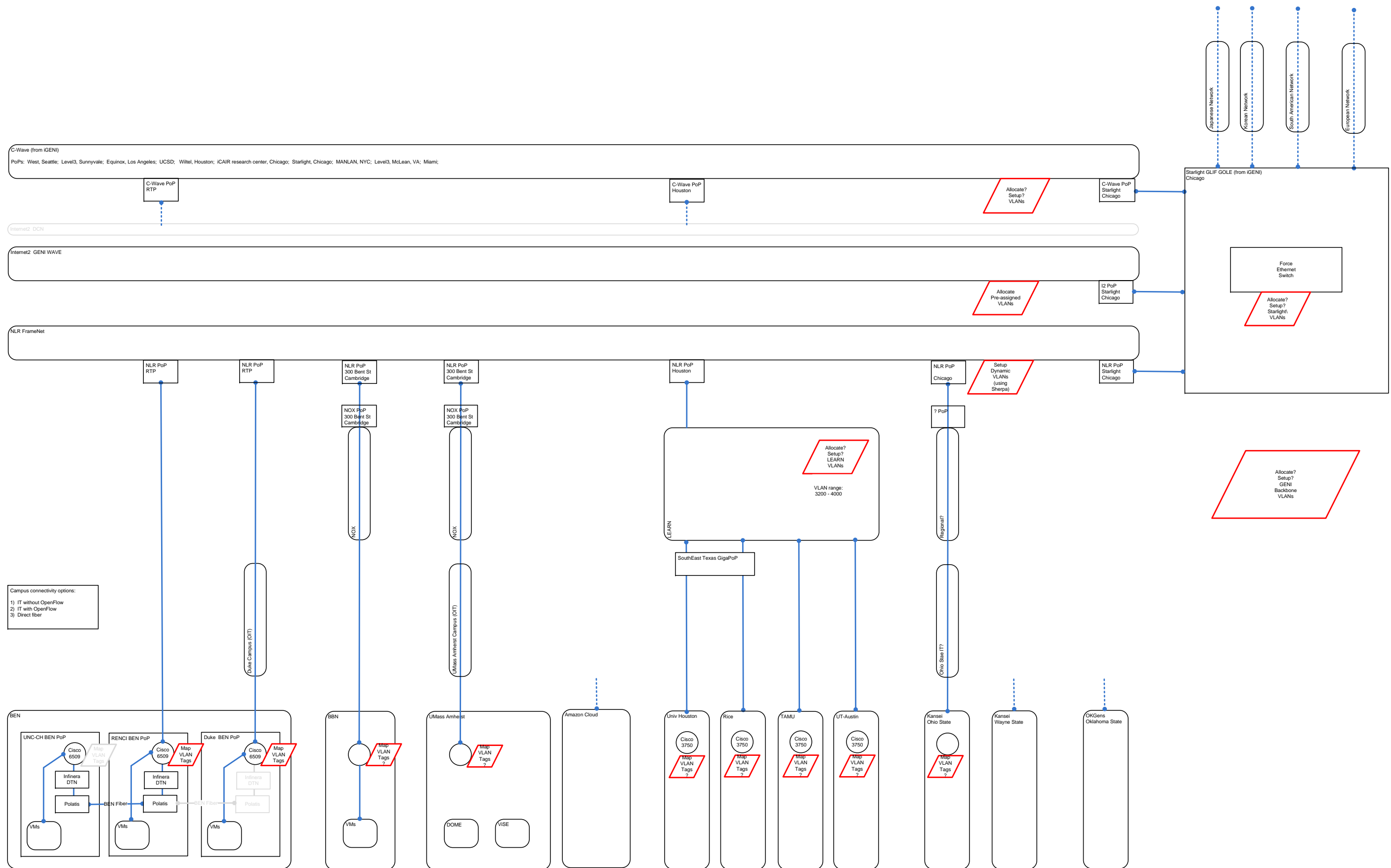
Case 1:
Component on Public IP network
(Internet)

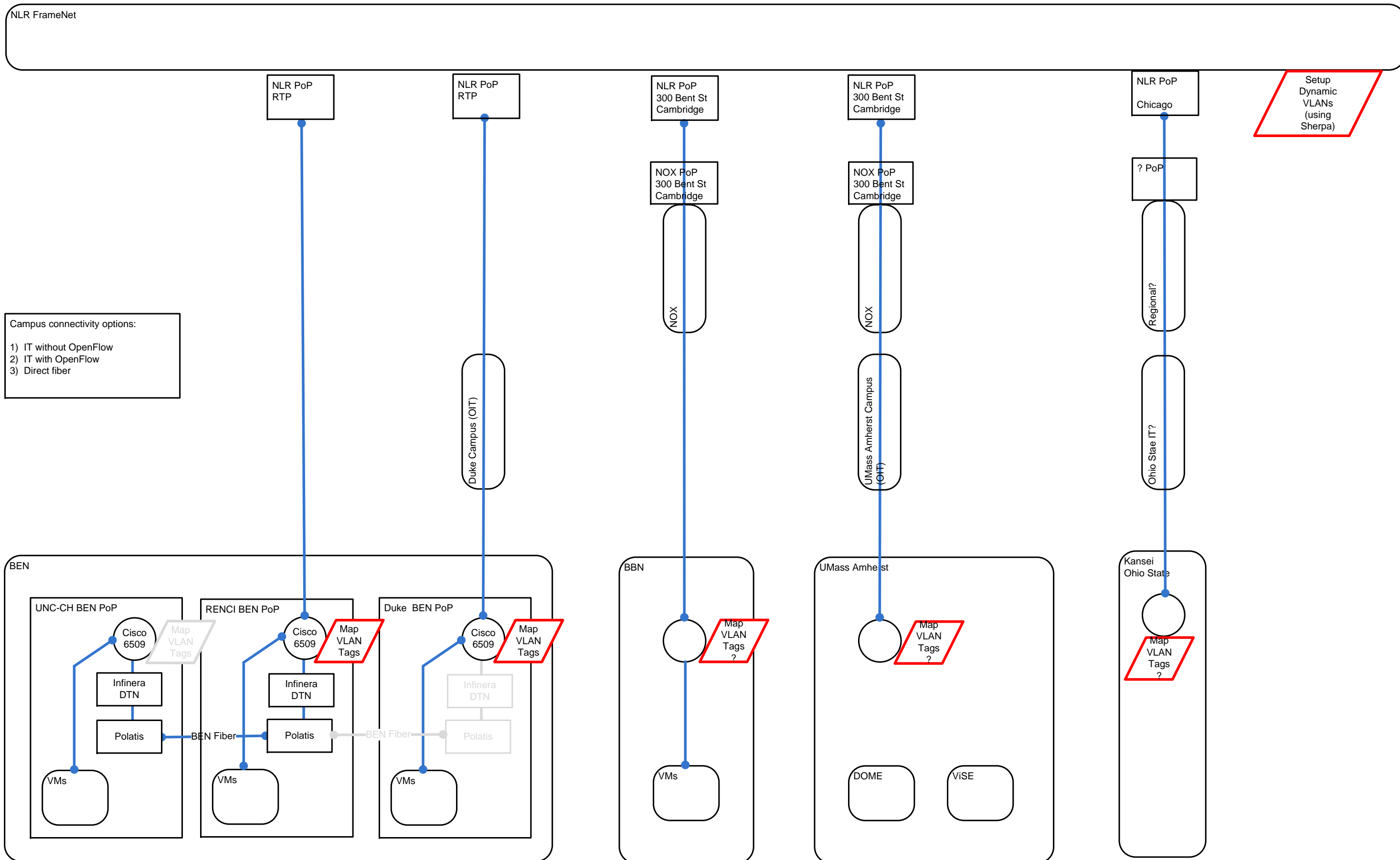


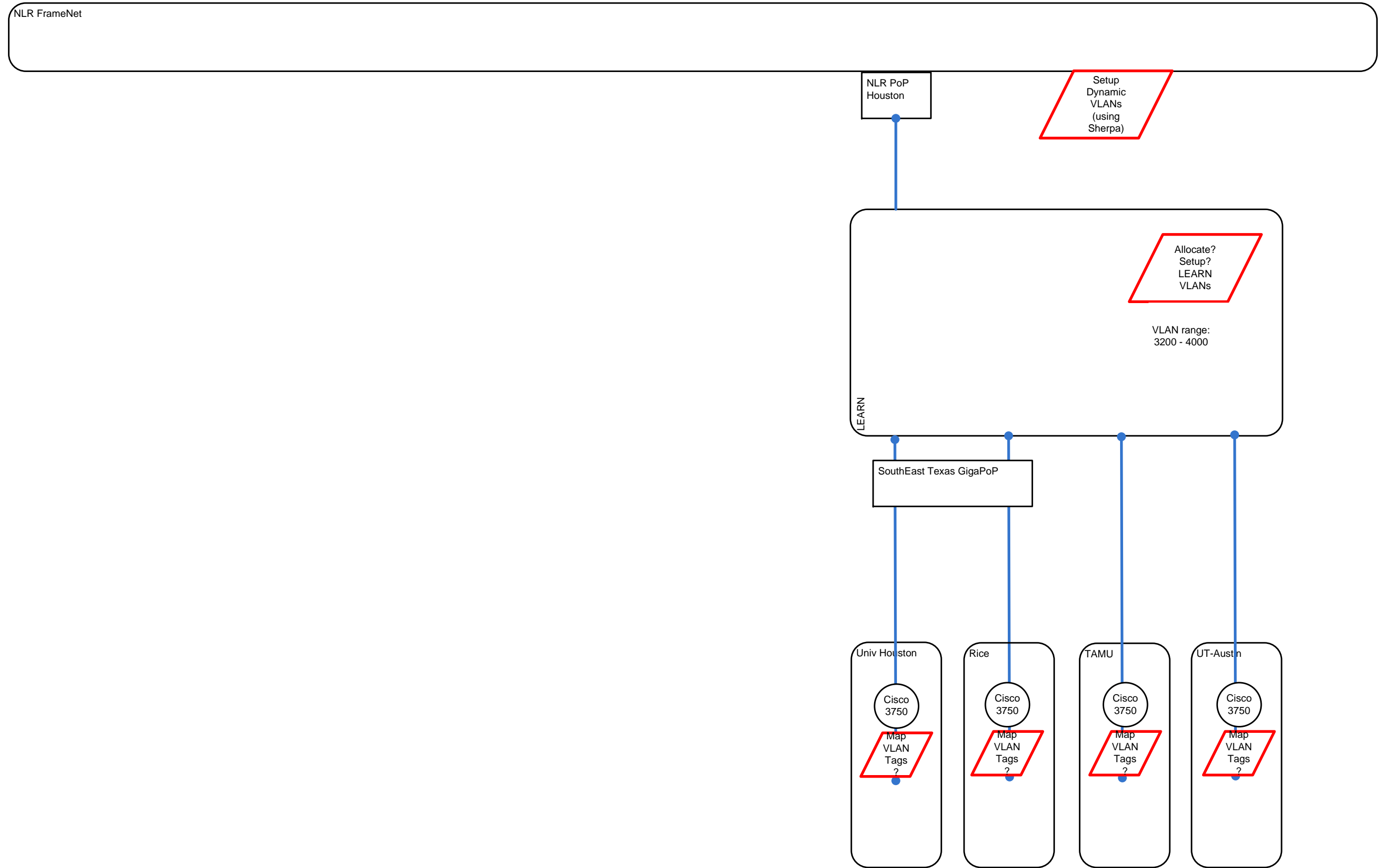
Each site (typically) uses private IP addresses for actors, substrates, etc.
NAT maps these private IP addresses into public IP addresses that can be used by other actors, etc.

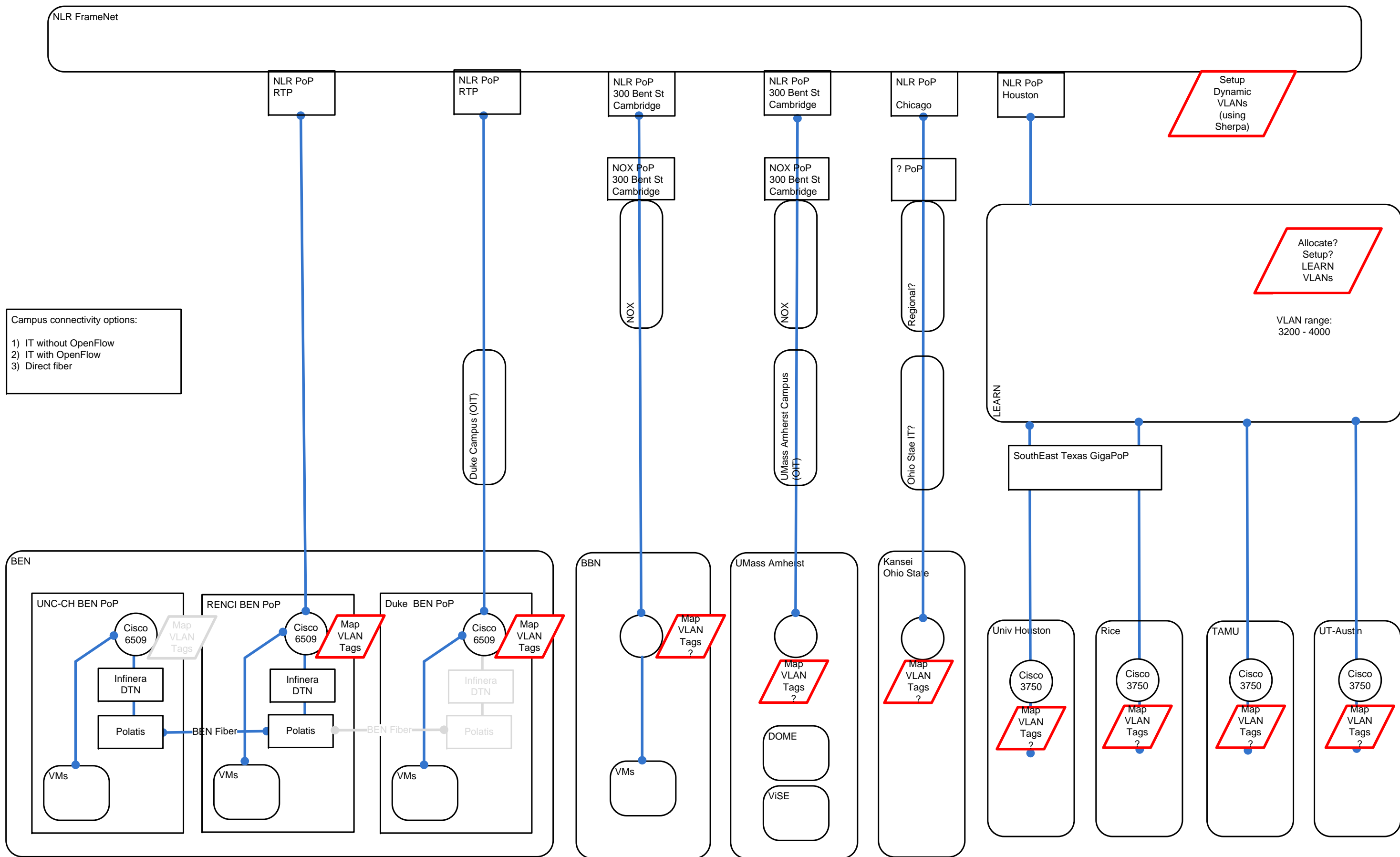
Case 2:
Component on Private IP network
(e.g., mgmt ntwk)











Campus connectivity options:

- 1) IT without OpenFlow
- 2) IT with OpenFlow
- 3) Direct fiber

