

Demonstration of Cross-Layer Optimized Digital Media Streaming Enabled by the Integrated Measurement Framework (IMF)

I. Baldine, B. Bathula, K. Bergman, C. Chen, R. Dutta, D. Gurkan, C. P. Lai, D. Majumder, G. Rouskas, A. Wang, M. S. Wang

IMF: Integrated Measurement Framework

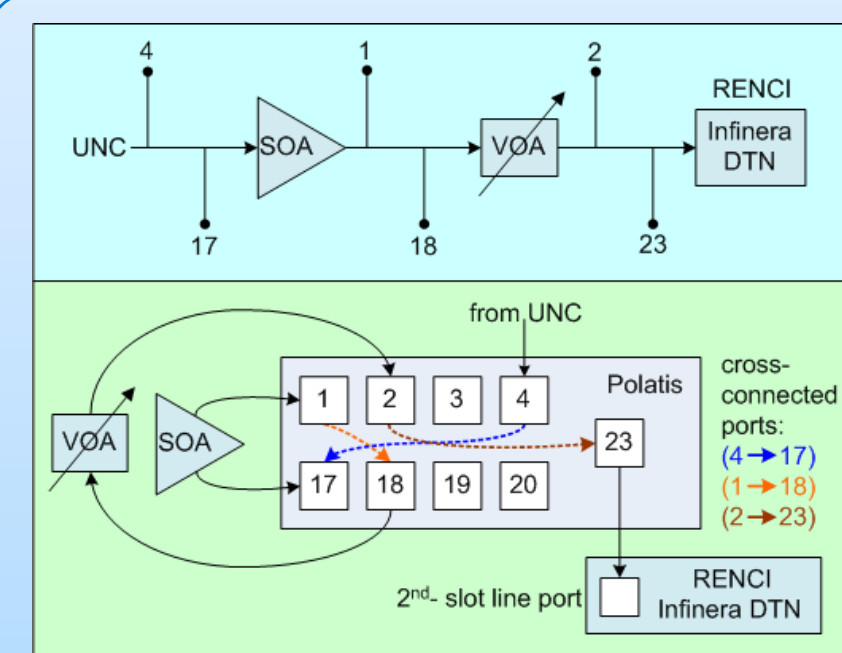
ERM: Embedded Real-Time Measurements

LEARN: Programmable Measurements over Texas-Based Research Network

IMF Overview

- Provides an abstraction of measurement capabilities (physical layer and performance parameters) through a unified PubSub interface.
- Utilizes measurement capabilities to enable cross-layer communication via the Services Integration, control, and Optimization (SILO) network architecture.
- An optical control plane further utilizes measurement capabilities to allow for cross-layer control and management decisions based on optical layer performance.

Demo Setup

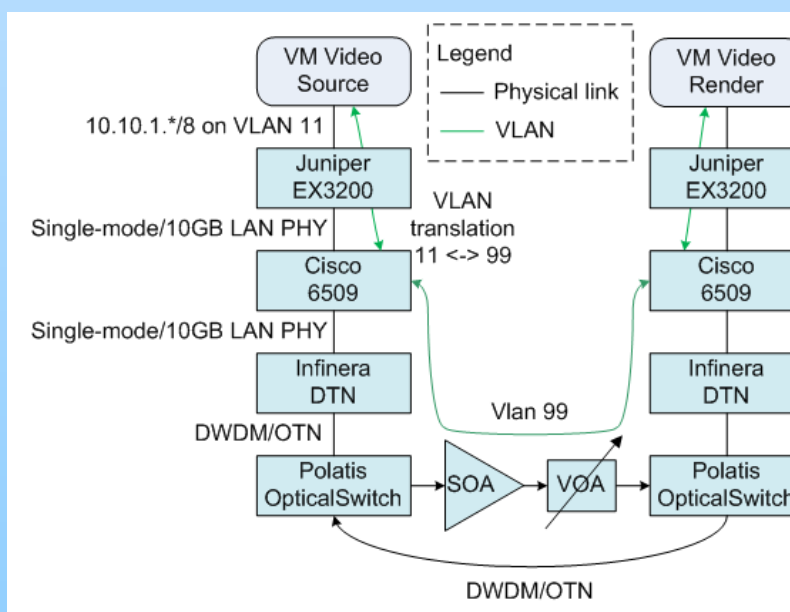


Physical Connections in BEN

- Breakable Experimental Network (BEN) connects together RENCi, UNC, Duke, and NCSU.
- (top) Logical connection among optical devices from UNC to RENCi in BEN.
- (bottom) Physical connection at the RENCi site of BEN.

Virtual Machine Configurations

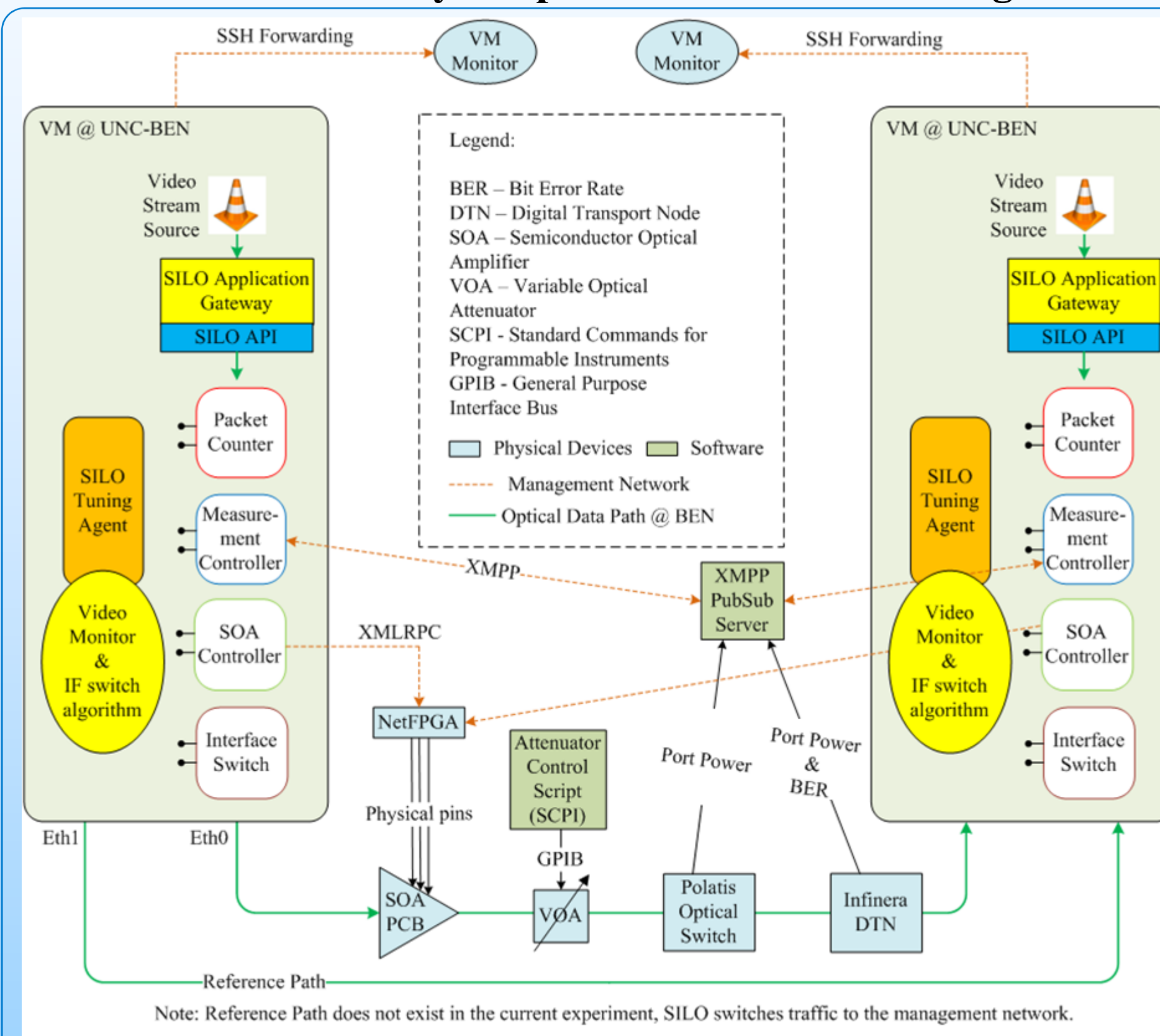
- VM configuration at RENCi and UNC site.
- VMs between RENCi and UNC are manually configured into a VLAN.
- SILO is running on the VMs.



Optical Control Plane

- NetFPGA is used to allow programmable control of optical components.
- NetFPGA SW contains XML-RPC commands to allow remote access of optical comments.
- NetFPGA HW provides I/O interface to optical components.

IMF Demo: Cross-Layer Optimized Video Streaming



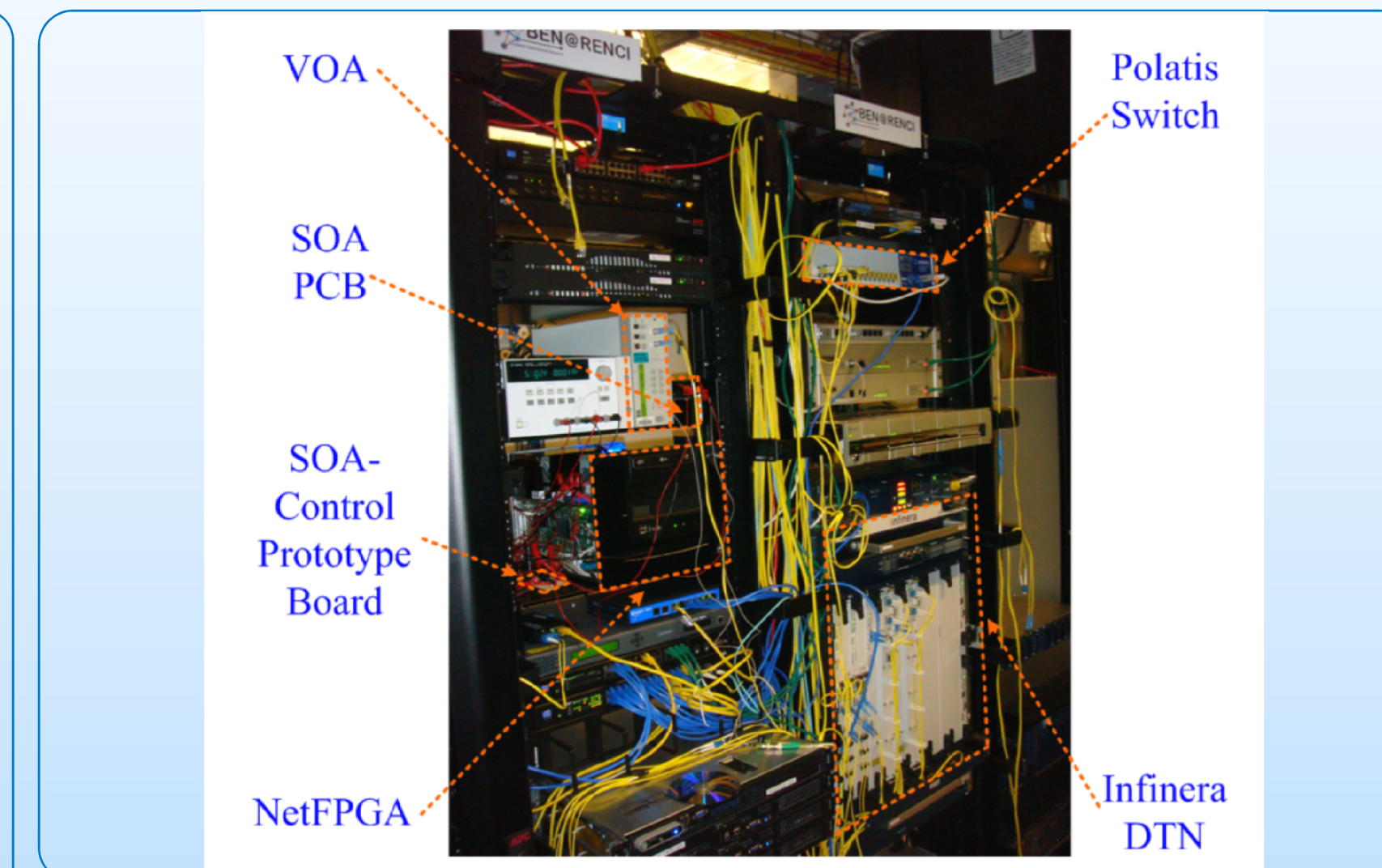
Four SILO services are used on each site (UNC & RENCi):

- *Packet Counter* - counts the number of packets.
- *Measurement Collector* - collects port power/BER from Polaris and Infinera, published by the PubSub server.
- *SOAC* - controls the SOA through XML-RPC.
- *Interface Switch* - switches video stream between Eth0 and Eth1.

Video Monitor and Interface Switch algorithm tunes the SILO services to

- Increase the amplification on the SOA to compensate the power loss due to the VOA.
- Decrease the amplification on the SOA to ensure the port power never exceeds a safe-operating threshold.
- Switch traffic to a reference path when the SOA-protected path cannot be compensated anymore.

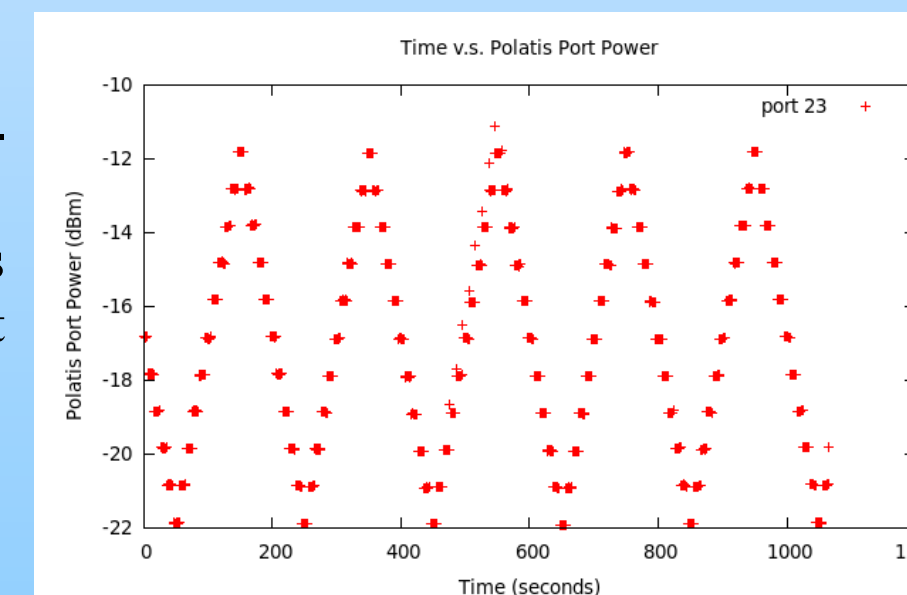
IMF Infrastructure at BEN-RENCi



Experimental Results

Power Level without Cross-Layer Compensation

- Range of power fluctuation is 10 dB (-12 to -22 dBm) as set by the VOA.



Power Level with Cross-Layer Compensation

- IMF ensures the power level always falls within a smaller range of fluctuation.
- Full range of power fluctuation is 4 dB (-15 to -19 dBm).
- Power falls within a smaller range of 2 dB (-16 to -18 dBm) most of the time.

