

GENI Instrumentation and Measurement WG: GENI I&M Capabilities Catalog (v0.1)

GENI Engineering Conference 7
Duke University, Durham, NC



GPO System Engineer: Harry Mussman
March 17, 2010
www.geni.net

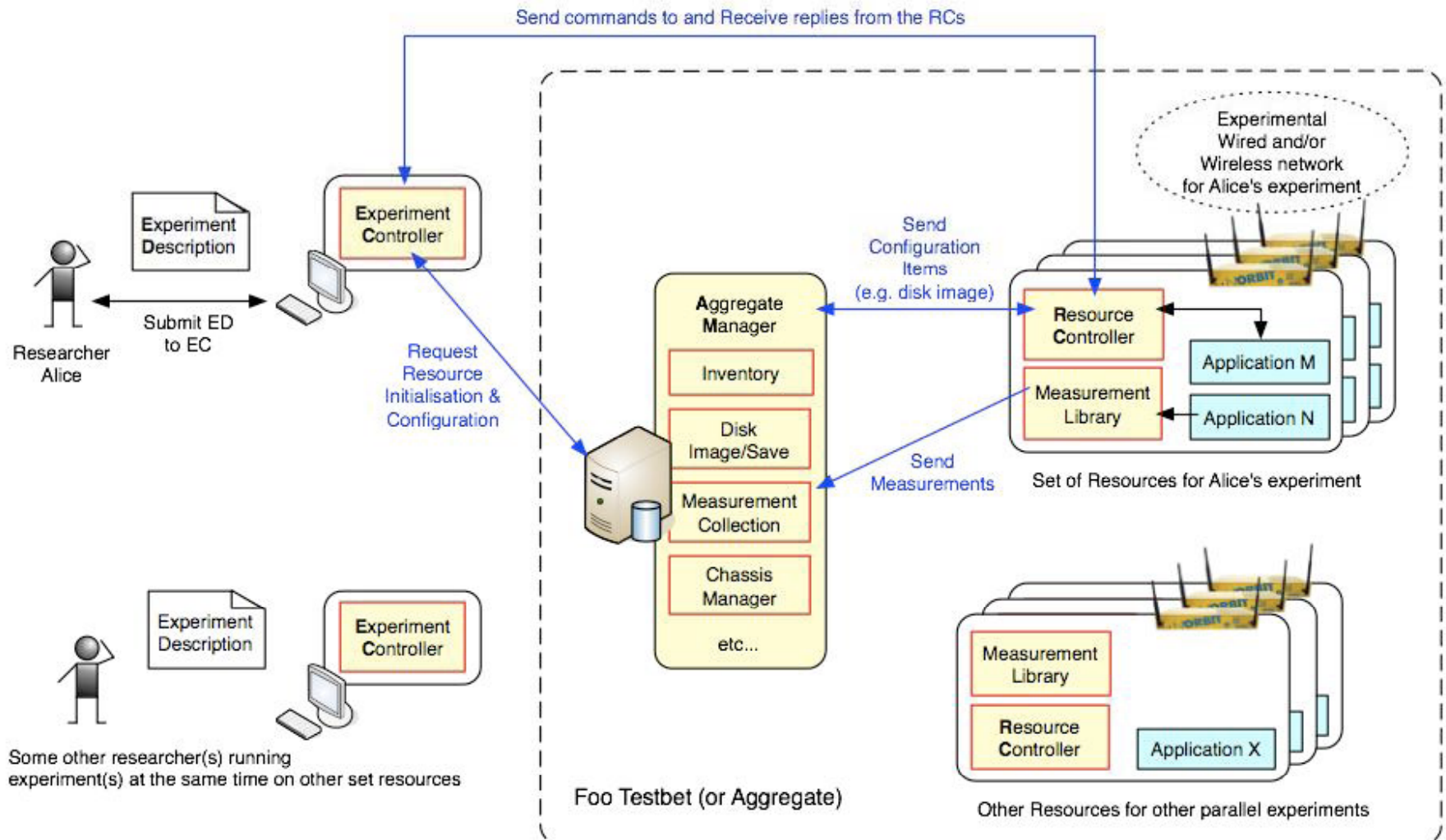
- **Scope:**
 - **Discuss, develop and build consensus around the architectural framework for the instrumentation and measurement infrastructure that will be deployed and used in GENI**
 - **Deploy basic instrumentation and measurement capabilities in GENI Spiral 2**

- For each GENI I&M project, and other selected projects, list:
 - Architecture components addressed or implemented
 - Implementations in GENI, or elsewhere
 - Uses in GENI, or elsewhere
- Purpose:
 - To identify projects that can best contribute to architecture topics
 - To identify projects that can implement enhanced GENI capabilities in Spiral 2
- Plan:
 - Now : v0.1 completed, by GPO; see <http://groups.geni.net/geni/wiki/GENIandMCAPCAT>
 - By GEC8: v1.0 draft, by GPO with contributions from WG
 - By GEC9: v2.0 draft, reviewed by WG

- **Based on GENI I&M Capabilities Catalog (v0.1), have identified:**
 - **GENI projects with comprehensive, end-to-end capabilities**
 - **GENI projects working on measurement data schema**
 - **GENI projects (and others) working on measurement data archives, and thus measurement data schema**

GENI I&M Capabilities Catalog (v0.1): Projects with comprehensive, end-to-end capabilities

- Based on GENI I&M Capabilities Catalog (v0.1), have identified these GENI projects with comprehensive, end-to-end capabilities:
 - OML (ORBIT Measure Library) in OMF (ORBIT Mgmt Framework)
(Ott, NICTA and Gruteser, WINLAB/Rutgers, 1660)
 - Instrumentation Tools
(Griffioen, Univ Kentucky, 1642)
 - perfSONAR for network measurements
(Zekauskas, I2 and Swamy, Univ Delaware, 1788)
 - Scalable Sensing Service
(Fahmy, Purdue and Sharma, HP Labs, 1723)
 - OnTimeMeasure
(Calyam, Ohio Super Ctr, 1764)
 - others?



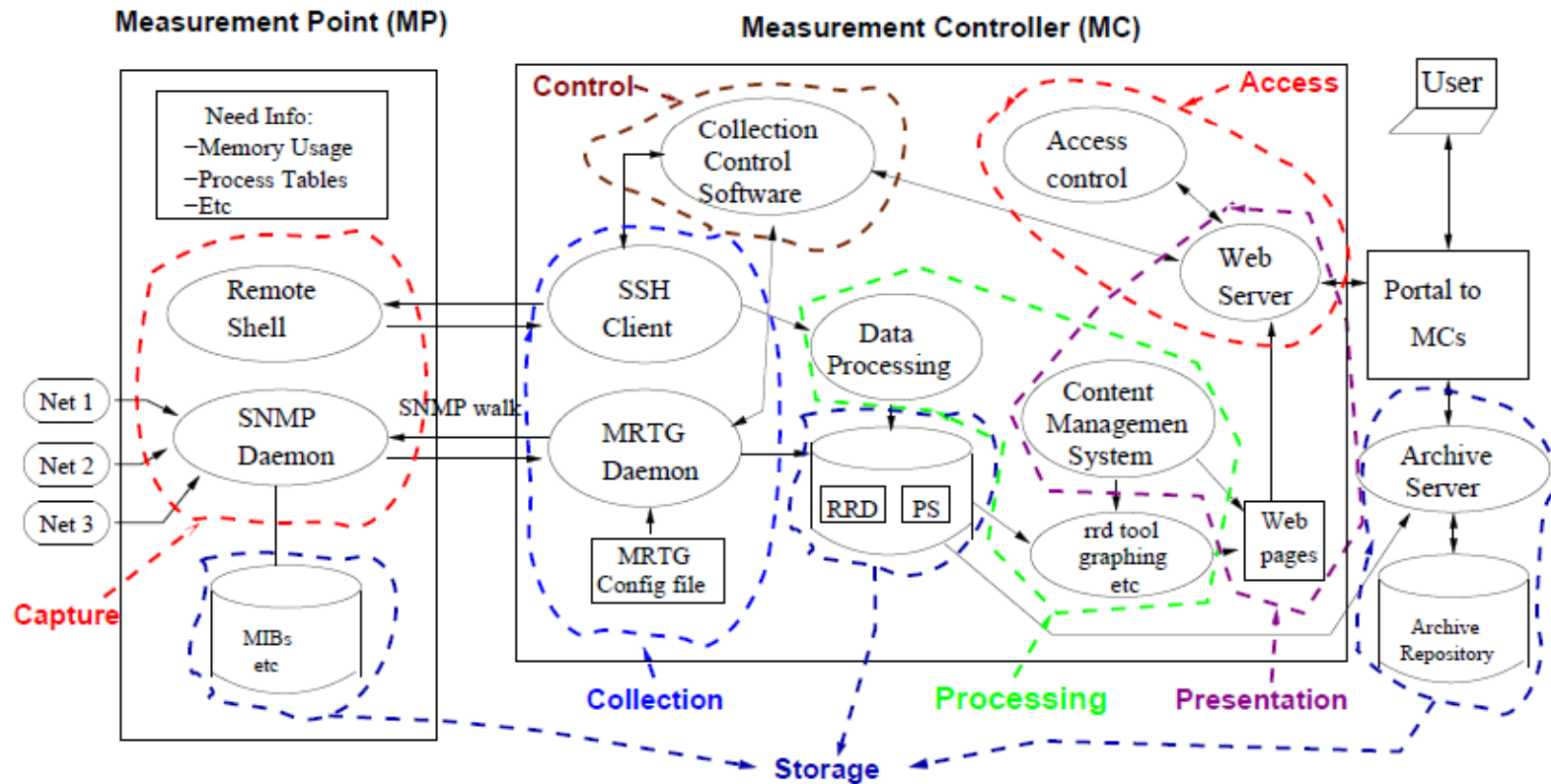
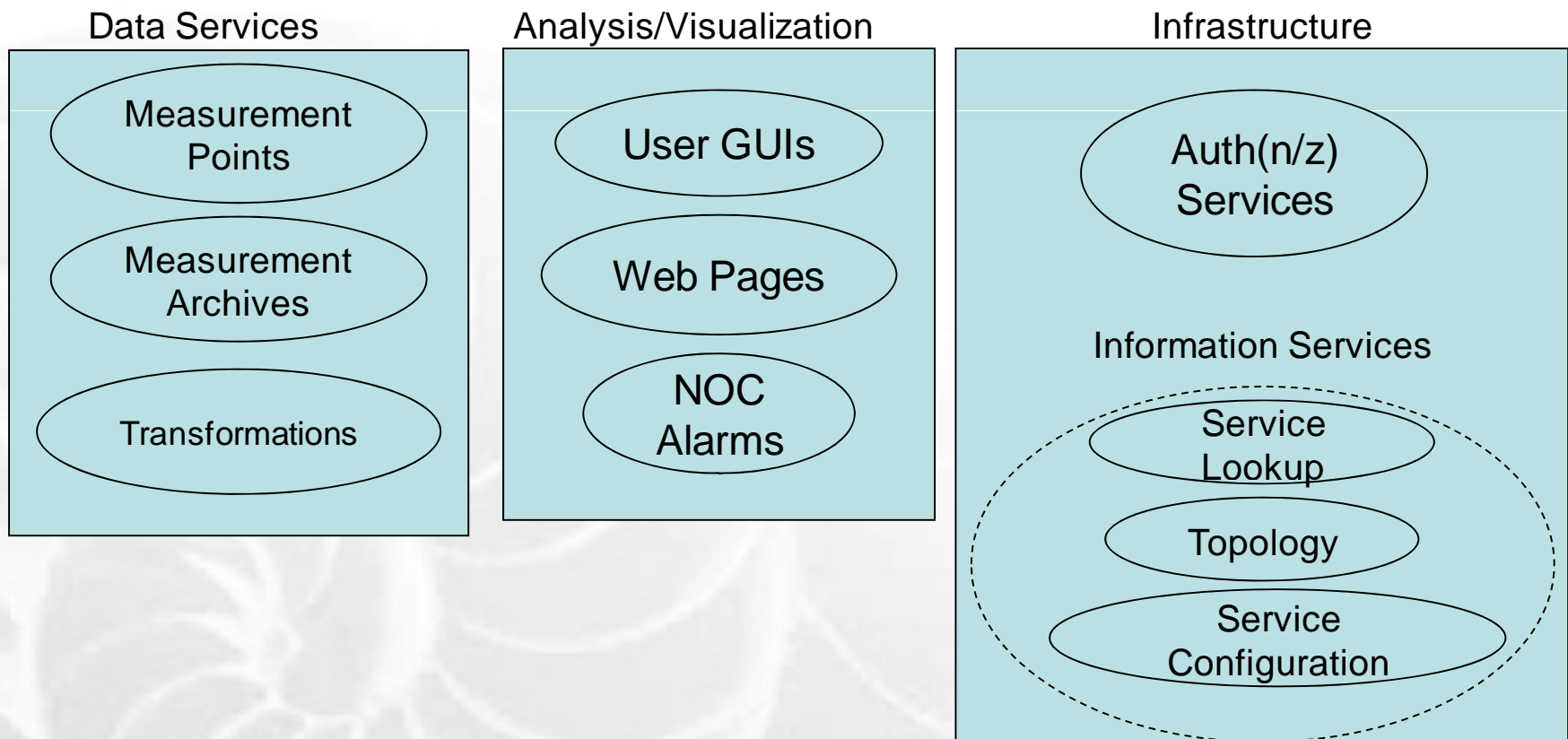
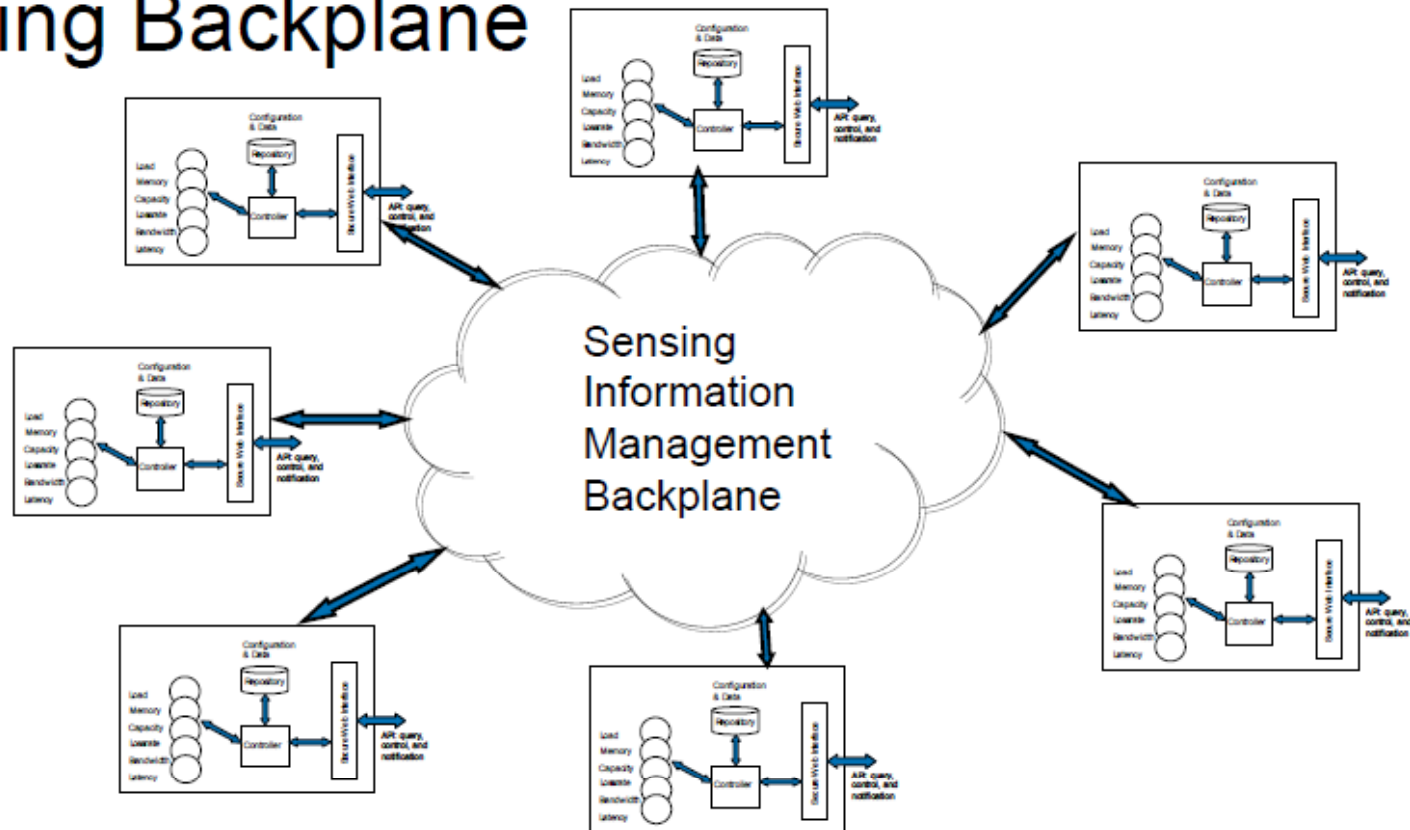


Figure 3: The Architectural Components of the INSTOOLS Toolset

perfSONAR Architecture

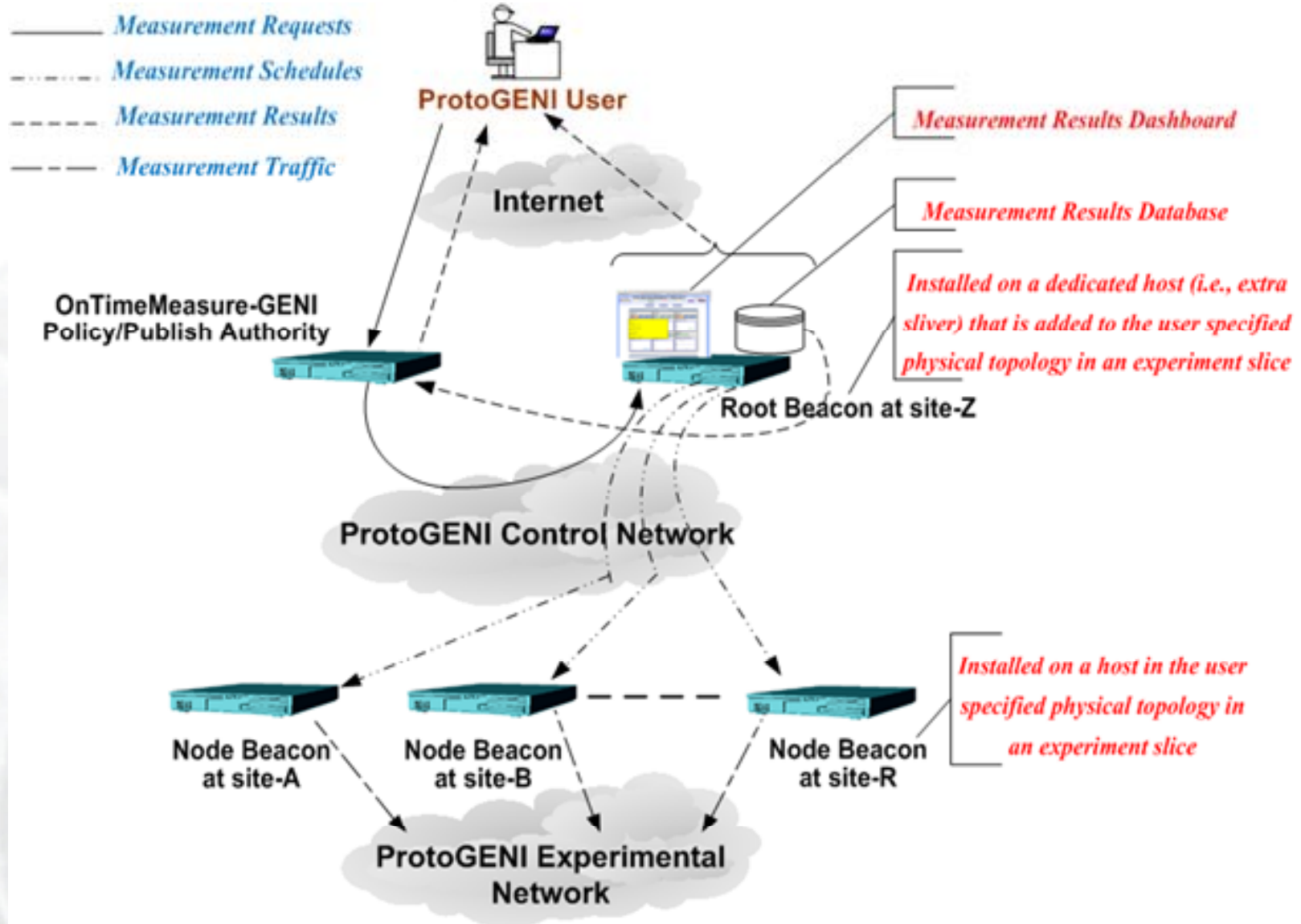


Sensing Backplane



- Aggregate data from end-points
- Configurable and self-managing
- E.g., SDIMS [SIGCOMM 2004]

OnTimeMeasure (Calyam, Ohio Super Ctr, 1764): Architecture



- Based on GENI I&M Capabilities Catalog (v0.1), have identified these GENI projects working on measurement data schema :
 - perfSONAR for network measurements
(Swamy, Univ Delaware, 1788)
 - IMF project
(Dutta, NC State, 1718)
 - Embedded Real-Time Measurements
(Bergman, Columbia, 1631)
 - GENI Meta-Operations Center
(Herron, Indiana Univ, 1604)
 - netKarma: GENI Provenance Registry
(Pale and Small, Indiana Univ, 1706)
 - others?

- Based on GENI I&M Capabilities Catalog (v0.1), have identified these GENI projects (and others) working on measurement data archives, and thus also on measurement data schema:
 - DatCat project at <http://www.datcat.org/> that provides a catalog that indexes Internet measurement data, which you can then find, annotate, and cite.
(Klaffy, CAIDA)
 - Crowdad project at <http://crowdad.cs.dartmouth.edu/>
(Kotz, Dartmouth)
 - Amazon Simple Storage Service
 - Data-Intensive Cloud Control
(Zink and Cecchet, UMass Amherst, 1709)
 - Experiment Mgmt System from DOR project
(Lannom and Manepalli, CNRI, 1663)
 - others?