

GEC 20 Handoff Tutorial

Professor: Kuang-Ching Wang

PhD students: Ke Xu, Ryan Izard

{kwang,kxu,rizard}@clemson.edu

June 22, 2014

ECE
Clemson University

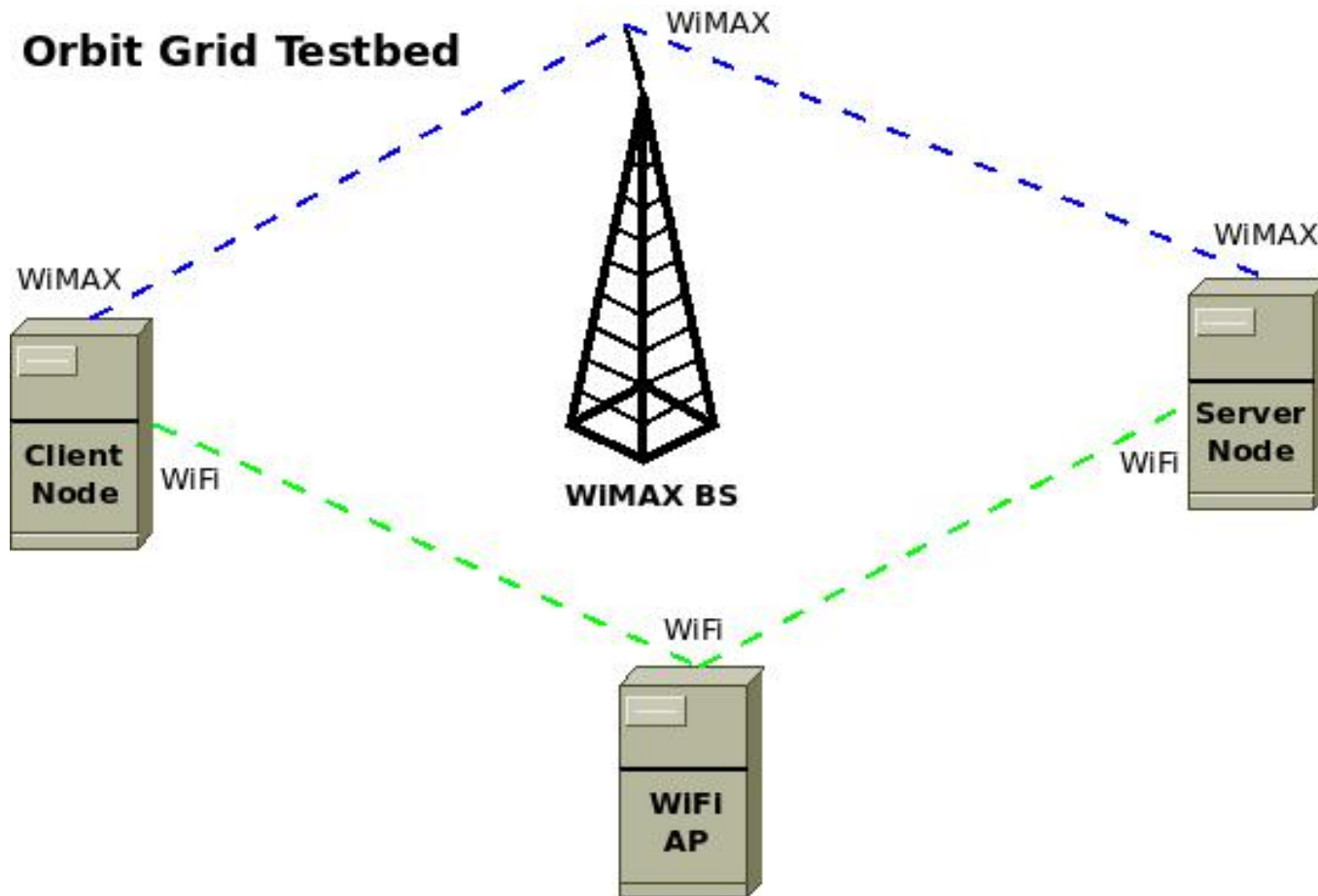


Introduction

- Vertical handoff
- Client-initiated handoff
- A vertical handoff solution leveraging OpenFlow

- Clemson GENI Wi-Fi/WiMAX testbed
Our TRIDENTCOM2014 paper: [An OpenFlow Testbed for the Evaluation of Vertical Handover Decision Algorithms in Heterogeneous Wireless Networks](#)
- This tutorial will conduct handoff in ORBIT testbed

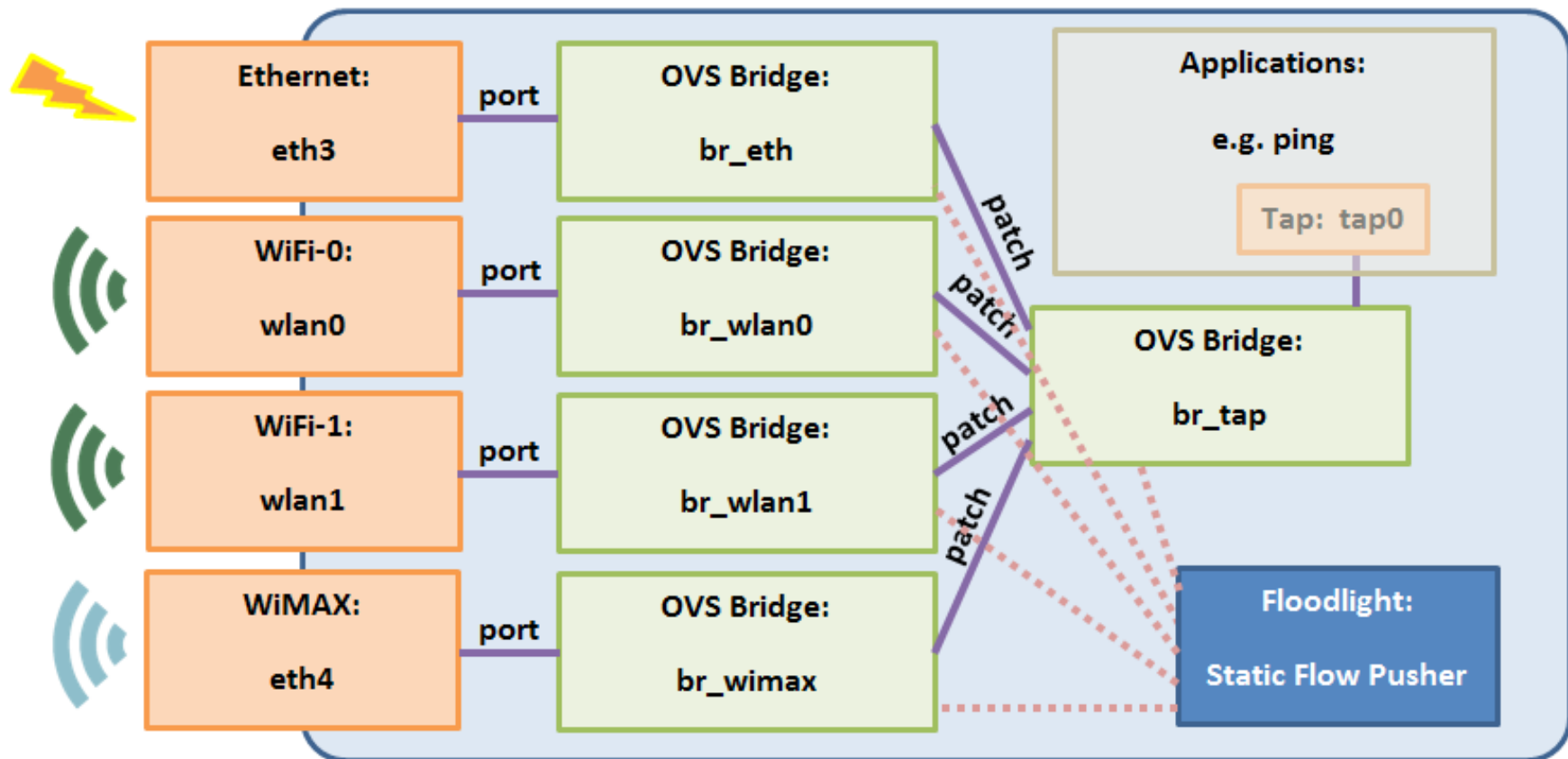
Topology in the Tutorial



Hardware and Software

- Server/Client
 - WiMAX adapter: Intel 6250
 - Wi-Fi adapter: Atheros 5000 series
 - OpenVPN, Open vSwitch (OVS), FloodLight
- AP
 - Wi-Fi adapter: Atheros 5000 series
 - Hostapd
- WiMAX BS
 - Pre-configured

Networking Configuration for Client



Information in Your Handouts

- Server IP & MAC
- Client node ID, IP & MAC

Step 1 Login

You should have a userid for ORBIT:

- Login to GENI Portal: portal.geni.net/
- Login to ORBIT: geni.orbit-lab.org
- Find your [userid](#)

- ssh [userid](#)@console.grid.orbit-lab.org
- ssh root@[nodeX-X](#) (use your node ID)

Step 2 Remove FloodLight Forwarding Module

- `cd ~/floodlight-0.90/src/main/resources/`
- `vim floodlightdefault.properties`
- remove the line
`net.floodlightcontroller.forwarding.Forwarding,\`

Step 3 Open gec20_setup.sh

- `cd ~/StartupScripts`
- `vim gec20_setup.sh`

Step 4 Edit SERVER Param

- ln19: **SERVER_IP**
- ln20: **SERVER_MAC**

Step 5 Edit Tap IP

- In27: `IFACE_bridge_E_IP`
(use Client's IP)

Step 6 Edit Client MAC

- In41: **IFACE_D_MAC**
(use Client's MAC)
- **:wq** Save and quit

Step 7 Edit Switching Scripts

- `cd ~/SwitchingScripts`
- `vim gec20_switch_to_wifi.py`
- In36: `wifi_mac` (use Client's MAC)
- `vim gec20_switch_to_wimax.py`
- In36: `wimax_mac` (use Client's MAC)

Step 8 Execute Setup Script

- `cd ~/StartupScripts`
- `./gec20_setup.sh`

Step 9 Ping Test

- Open a new terminal
- ssh **userid**@console.grid.orbit-lab.org
- ssh root@**nodeX-X** (Client node ID)
- ping **10.41.105.105** (Server IP)

Step 10 Handoff Test

In your **old** client terminal

Handoff to WiMAX

- `cd ~/SwitchingScripts`
- `./gec20_switch_to_wimax.sh`

Switch back to Wi-Fi

- `./gec20_switch_to_wifi.sh`

Step 11 Observation

- Do you see any difference for ping?

Step 12 Cleanup

Congratulations!

- `cd ~/StartupScripts`
- `./gec20_tearardown.sh`

If you are interested in...

- Detailed instructions at:

<http://groups.geni.net/geni/wiki/GENIExperimenter/Tutorials/WiMAXOpenFlow>

- Technical support:

[Ryan Izard <rizard@clemson.edu>](mailto:rizard@clemson.edu)